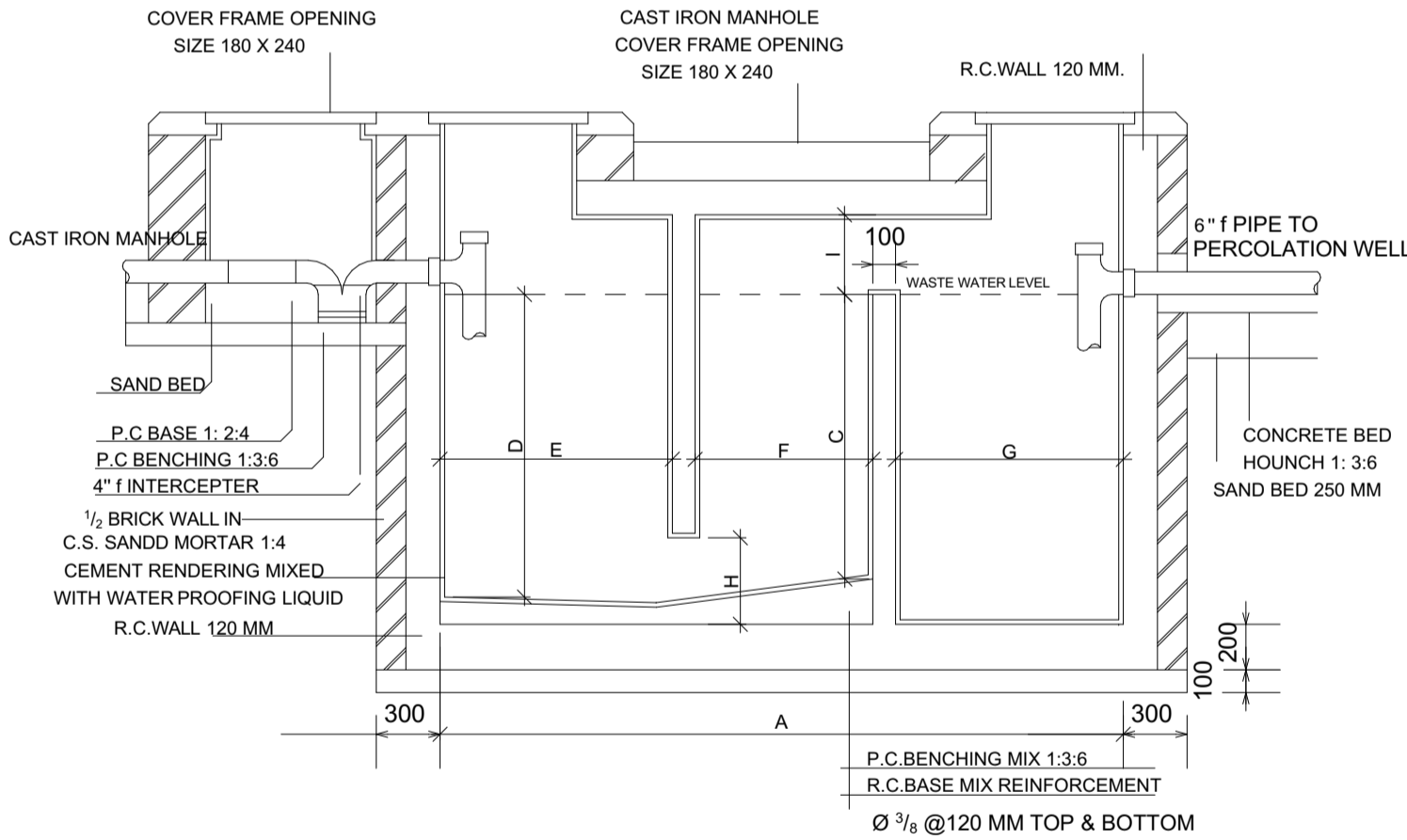


TYPE NO	NUMBER OF PERSON									
		A	B	C	D	E	F	G	H	I
	120	8000	3500	1600	2000	3040	2160	2800	700	650

SEPTIC TANK PLAN

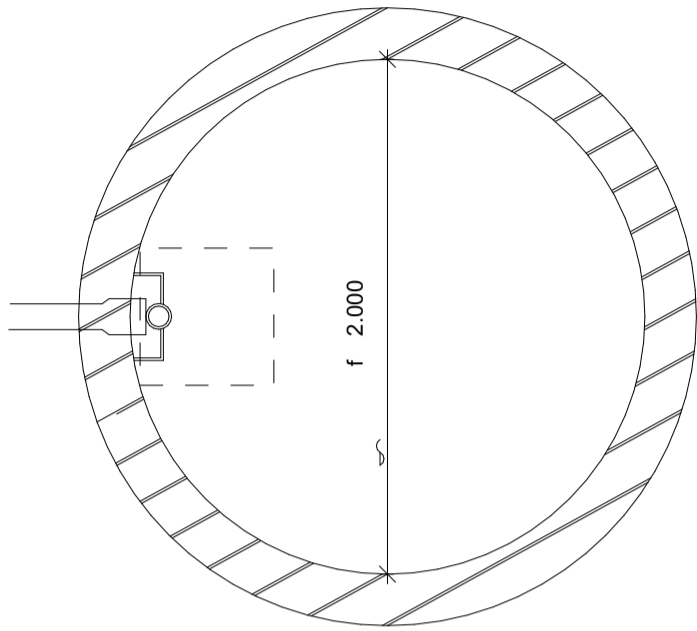


MANHOLE DIMENSIONS			
MANHOLE (MH.) DIMENSIONS (millimeter):			
Number in plan	Width (mm.)	Length (mm.)	Depth (mm.)
MH-01	600	600	200
MH-02	600	600	225
MH-03	600	600	710
MH-04	1000	1000	1220
MH-05	1000	1000	1259
MH-06	1000	1000	1292
MH-07	800	800	442
MH-08	800	800	462

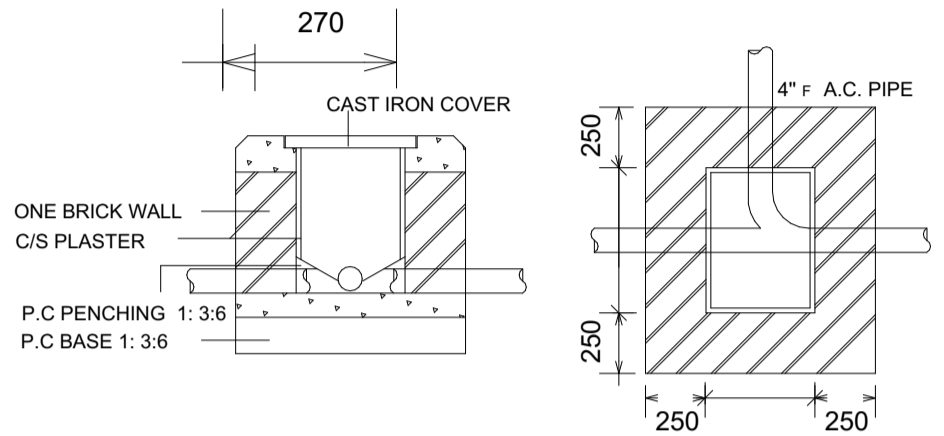
*ALL GULLY TRAPES ARE 30cm x 30cm x 30cm

SECTION A-A

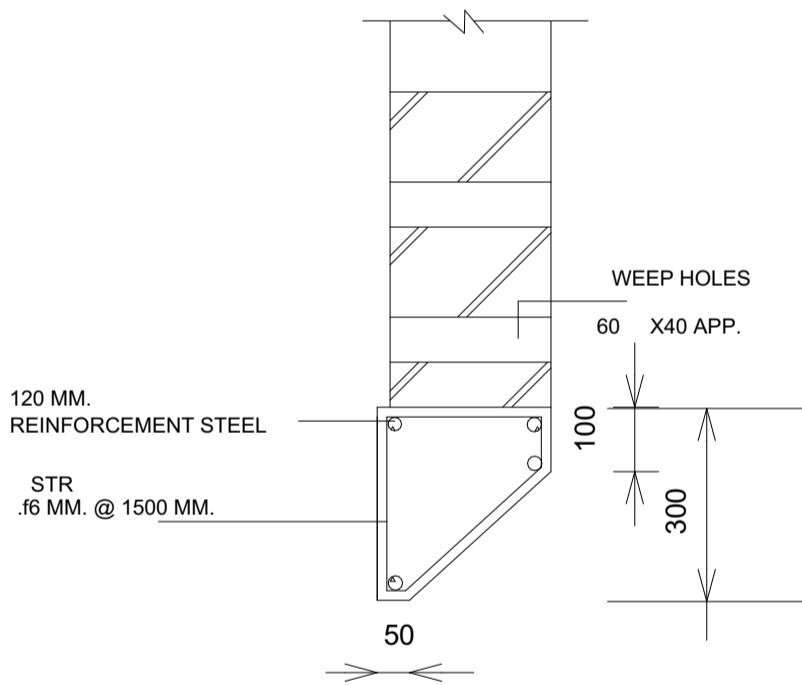
SYMBOL	DESCRIPTION	SYMBOL	DESCRIPTION		
	VERTICAL WASTE WATER UPVC PIPE		RAIN WATER / ROOF DRAIN	B.O.P	BOTTOM OF PIPE
	HORIZONTAL WASTE WATER UPVC PIPE		FLOOR DRAIN / FLOOR CLEAN OUT	FA	FROM ABOVE
	MANHOLE		VENT CAP	TB	TO BELOW
	GULLY TRAP			FB	FROM BELOW
				TA	TO ABOVE
				F.D	FLOOR DRAIN
				C.C.O	CEILING CLEAN OUT
				F.C.O	FLOOR CLEAN OUT



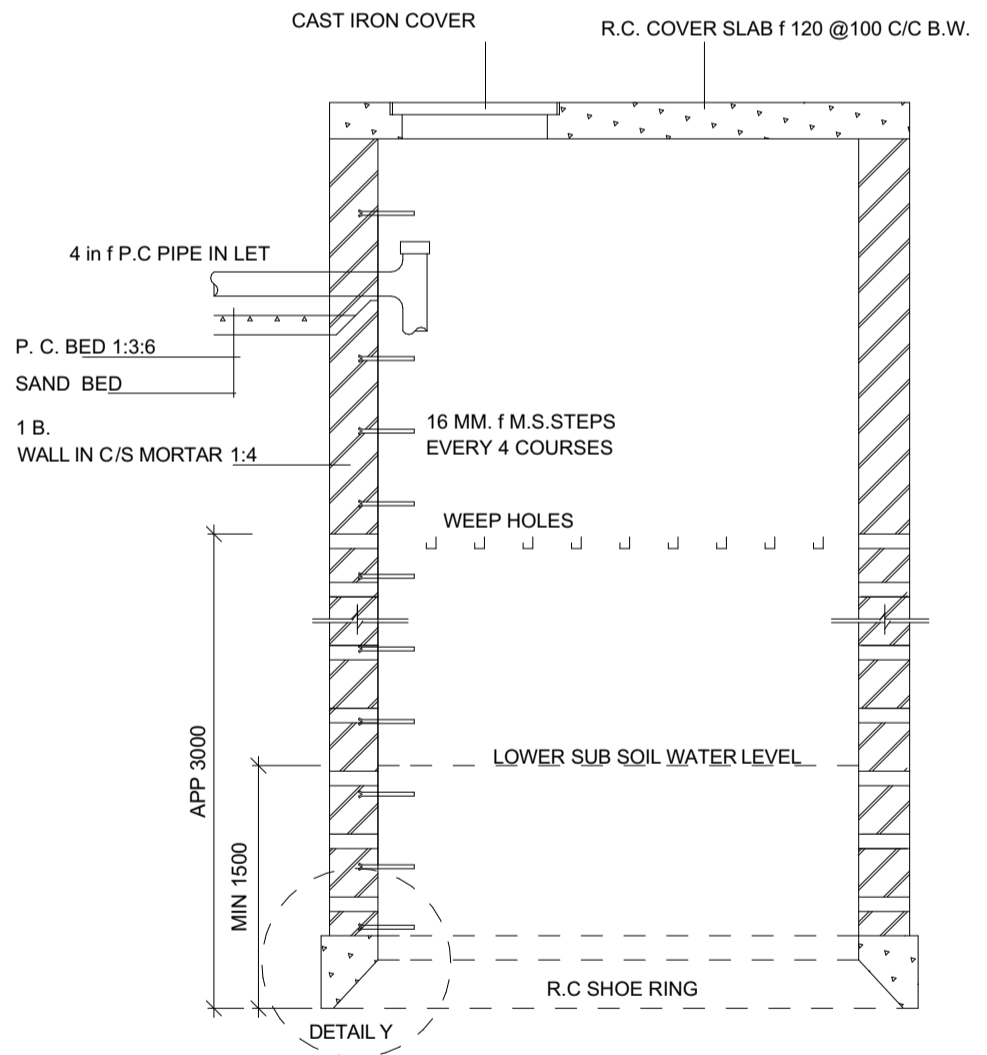
PERCOLATION WELL



TYPICAL DETAIL INS. CHMBER



DETAIL Y



PER-COLATION WELL DETAILS

SYMBOL	DESCRIPTION	SYMBOL	DESCRIPTION		
	VERTICLA WAST E WATER UPVC PIPE		RAIN WATER / ROOF DRAIN	B.O.P	BOTTOM OF PIPE
	HORIZONTAL WASTE WATER UPVC PIPE		FLOOR DRAIN / FLOOR CLEAN OUT	FA	FROM ABOVE
	MANHOLE		VENT CAP	TB	TO BELOW
	GULLY TRAP			FB	FROM BELOW
				TA	TO ABOVE
				F.D	FLOOR DRAIN
				C.C.O	CEILING CLEAN OUT
				F.C.O	FLOOR CLEAN OUT